



ಕೇಂದ್ರೀಯ ವಿದ್ಯಾಲಯ, ನಂ.೧, ಎ. ಎಫ್. ಎಸ್., ಸಾಂಬ್ರ, ಬೆಳಗಾವಿ  
 केंद्रीय विद्यालय क्र १, वायुसेना स्थल साम्ब्रा, बेलगावि - 591124  
 KENDRIYA VIDYALAYA NO.1 AFS SAMBRA, BELAGAVI 591124  
 KARNATAKA, Ph: 0831-2562316/Fax: 2562316 CBSE Aff.Code: 800010  
 School Code: 49014, Website: <https://sambraafs.kvs.ac.in>,  
 Email: [kvsambra@gmail.com](mailto:kvsambra@gmail.com)

F. No. /KV SAM/2019-2020/

Date: 17.01.2020

To

---



---



---



---

Sub : "Invitation for Quotations for supply of Furniture Items to Kendriya Vidyalaya No.1 AFS Sambra - Belagavi. - reg"

Sir/Madam,

1. The Kendriya Vidyalaya Sangathan, a centrally funded Autonomous Body, is a Society registered under Societies' Registration Act, 1860. The Sangathan administers the Scheme of Kendriya Vidyalaya set up for imparting education to the children of transferable Central Govt. Employees. Kendriya Vidyalaya No.1 AFS Sambra - Belagavi. Belagavi District is one of the Vidyalaya of Kendriya Vidyalaya Sangathan.

2. Sealed competitive quotations from the Registered Firms are invited by the undersigned on behalf of the Kendriya Vidyalaya No.1 AFS Sambra - Belagavi for supply of the following items:

S.N o.	Name of Items	Company / Brand	Quantity (approx)	Delivery period	Place of delivery
1	Duel Desks with Iron Sheet fitted to Iron Frame	Duel desk Table Length 36"X33" width X Height 28" with 8" Shelf (three sides closed) with 1" slope. Top 18 gauge and lower 18 gauge iron sheets with 1/2 "angle support. seat Height 18" width 12" with 16 gauge sheet and angle support of 3/4", back rest sheet width 6" with 16 gauge sheet. Leg size 1 1/2" X 1 1/2" X 2 mm MS square pipe. AS per diagram 1 enclosed	30 desks	Within Fifteen days from the date of supply order	Kendriya Vidyalaya No. 1 AFS, SAMBRA - BELAGAVI.
2	Duel Desks with Iron Sheet fitted to Iron Frame	Duel desk Table Length 36"X36" width X Height 33" with 8" Shelf (three sides closed) with 1" slope. Top 18 gauge and lower 18 gauge iron sheets with 1/2 "angle support. seat Height 18" width 12" with 16 gauge sheet	20 desks		

		and angle support of 3/4", back rest sheet width 6" with 16 gauge sheet. Leg size 1 1/2" X 1 1/2" X 2 mm MS square pipe. AS per diagram 1 enclosed			
	Teachers Table	Length 3Ft x width 2Ftx Height 2 1/2Ft (30") with 1" water proof ISI standard ply wood top with 1mm sun mica finish along with one drawer. Leg size 1 1/2" X 1 1/2" X 2mm MS square iron pipe. AS per diagram 2 enclosed	05nos		

**Note:** The Quantity mentioned above is only approximate. The actual requirement may be more or less than the quantity mentioned depending on the rates quoted, requirement and funds available.

Where Bureau of Indian standards (BIS) certification marked goods are available in market, goods with those or equivalent marking only shall be offered

### 3. Bid Price

- The contract shall be for the supply of the mentioned items to the KVS. The bidder shall quote for items in the format of quotation attached. Corrections, if any, shall be made by crossing out, initialing, dating and rewriting;
- All duties, taxes and other levies payable by the bidder shall be included in the total price. However, the tax and duties leviable should be quoted separately.
- The rates quoted by the bidder shall be fixed for the duration of the contract (and shall be quoted in Indian Rupees only);
- The prices should be quoted in Indian Rupees only,
- Each bidder shall submit only one quotation;
- Telex or Facsimile quotations are not acceptable
- \*g. The bid should be submitted along with EMD for Rs. 15000/- by bank draft in favour of Kendriya Vidyalaya, No1, AFS, Sambra, Belgavi, VVN Account. If you are claiming any exemption under any rule for EMD the supporting documents should be submitted.
- The firm should enclose supporting documents regarding registration of GST/ST/ITPAN.
- Before the supply of articles a sample piece must be supplied for approval at the Vidyalaya before the representative of the school who will be placed / Visiting the workshop in due course, to get satisfied if terms of specifications followed, quality of materials used etc. before the 'Painting' as specified in the quotation.

### 4. Validity of quotations

The quotation shall remain valid for a period not less than 90 days after the deadline specified for submission of quotations.

### 5. Evaluation of quotations:

The Purchaser will evaluate and compare the quotations determined to be substantially responsive, i.e., which are:



- a) Properly signed, and
- b) Confirm to the terms and conditions and specifications.
- c) Enclosure of EMD amount.

The evaluation would be done for all the items put together. The items for which no rates have been quoted would be treated as zero and the total amount would be computed accordingly. The bidder who has quoted for partial quantity of any one or more item(s) would be treated as non-responsive. Purchaser will award the contract to the responsive bidder whose total cost for all the items put together is the lowest.

6. **Award of contract:**

- (a) The purchaser will award the contract to the bidder whose quotation has been determined to be substantially responsive and who has offered the lowest price as per para 5 above;
- (b) The bidder whose bid is accepted will be notified of the award of the contract by the Office prior to expiration of the quotation validity period;
- (c) The Notification of Award to clearly specify any change in the unit price or any other terms and conditions accepted.
- (d) Normal commercial warranty/guarantee shall be applicable to the supplied goods;  
\*May be struck off in case of Registered Bidders.
- (e) Payment shall be made within 30 days after the delivery of goods and their acceptance;
- (f) Notwithstanding the above, the Purchaser reserves the right to accept or reject any quotations and to cancel the bidding process and reject all quotations at any time prior to the award of the contract. Quantity mentioned is only approximate. It may increase or decrease.
- (g) Payment will be made after deducting income Tax @2% from the amount.
- (h) The successful bidder has to deposit performance security with the amount of 10% of total bill amount in favour of Kendriya Vidyalaya, No.1, AFS Sambra, Belagavi. VVN Account in the form of DD.

7. **Last date and time of receipt of quotations:**

You are requested to submit the sealed quotations in the Tender Box/office (in front of Room No. Office) super scribed on the envelope as "**Quotations for the supply of steel Furniture, due on 01.02.2020 latest by 1.30 PM.**" The quotations shall be opened on 03.02.2020 at 2.30 P.M. The bidders or their representatives who choose to be present at the time of opening of quotation are invited to do so.

The purchaser looks forward to receiving the quotation and appreciate the interest of the bidders in the KVS.

Yours faithfully



Signature

Name: Ch. Vijaya Ratnam

Designation: Principal

प्राचार्य/Principal

केंद्रीय विद्यालय क्र-1/Kendriya Vidyalaya No.1

वायु सेना स्थल/Air Force Station

साम्ब्रा, बेलगावि/Sambra, Belagavi-591 124

कर्नाटक/KARNATAKA





## FORMAT OF QUOTATION

S. No.	Name of Items	Company / Brand/ Specifications.	Appro x. Quant ity	Unit / Pkt/ One item Rate (Rs.)	Total Amou nt witho ut GST	GST rate in (%)	GST Amoun t	Total Amount with GST
1	Duel Desks with Iron Sheet fitted to Iron Frame	Duel desk Table Length 36"X33" width X Height 28" with 8" Shelf (three sides closed) with 1" slope. Top 18 gauge and lower 18 gauge iron sheets with 1/2 "angle support. seat Height 18" width 12" with 16 gauge sheet and angle support of 3/4", back rest sheet width 6" with 16 gauge sheet. Leg size 1 1/2" X 1 1/2 X 2 mm MS square pipe. AS per diagram 1 enclosed	30 desks					
2	Duel Desks with Iron Sheet fitted to Iron Frame	Duel desk Table Length 36"X36" width X Height 33" with 8" Shelf (three sides closed) with 1" slope. Top 18 gauge and lower 18 gauge iron sheets with 1/2 "angle support. seat Height 18" width 12" with 16 gauge sheet and angle support of 3/4", back rest sheet width 6" with 16 gauge sheet. Leg size 1 1/2" X 1 1/2 X 2 mm MS square pipe. AS per diagram 1 enclosed	20 desks					
3	Teacher s Table	Length 3Ft x width 2Ftx Height 2 1/2Ft (30") with 1" water proof ISI standard ply wood top with 1mm sun mica finish along with one drawer. Leg size 1 1/2"X 1 1/2" X 2mm MS square iron pipe. AS per diagram 2 enclosed	05 nos					

We agree to supply the above goods in accordance with the specifications for the above mention unit price shown against the item(s) for which quotations have been submitted, within the period specified in the Invitation for Quotations,

We also confirm that the normal commercial warranty/guarantee of ..... Months shall apply to the offered goods.

Bid Security of Rs. \_\_\_\_\_ (Rupees \_\_\_\_\_ ) is furnished herewith vide Bank Draft No. \_\_\_\_\_ dated \_\_\_\_\_ drawn on \_\_\_\_\_.

(Bidder)

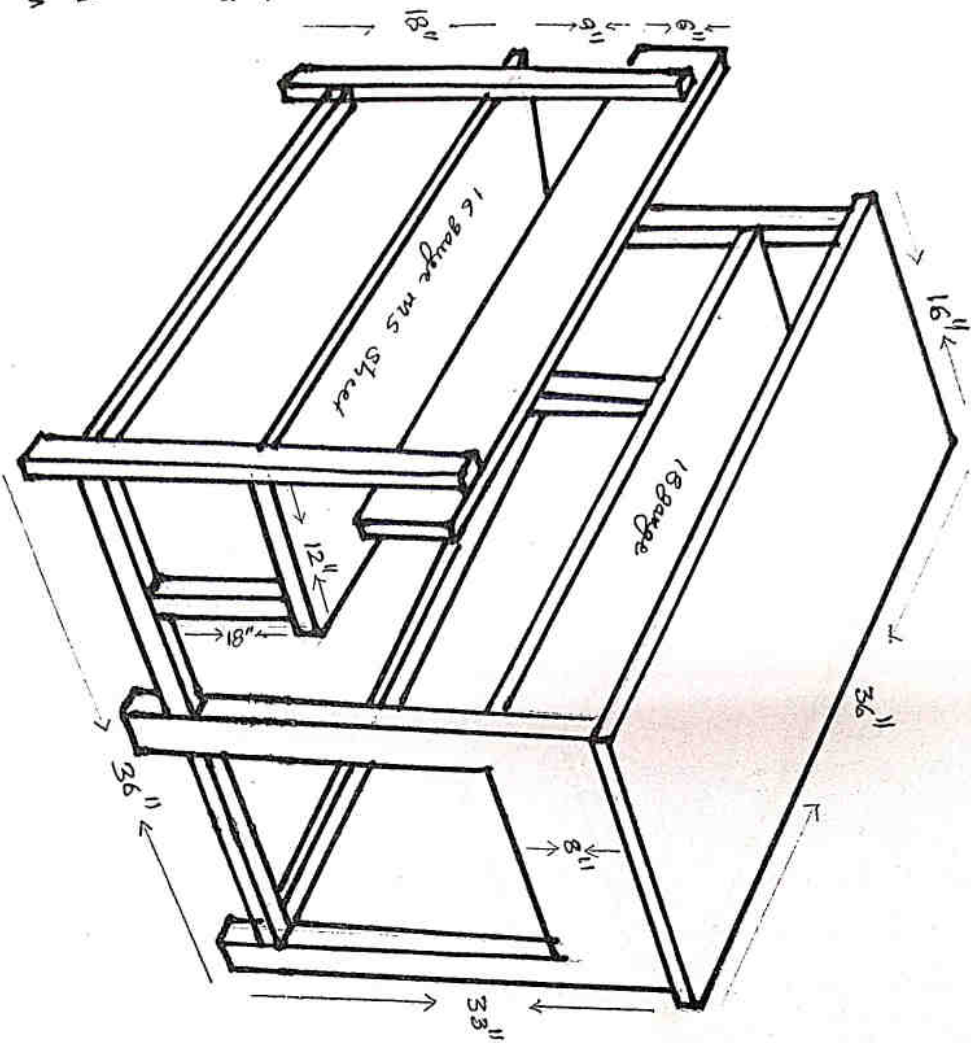
Signature : .....

Name : .....

Date : .....

Seal:.....

# DUEL DESK (STEEL)



## Specification

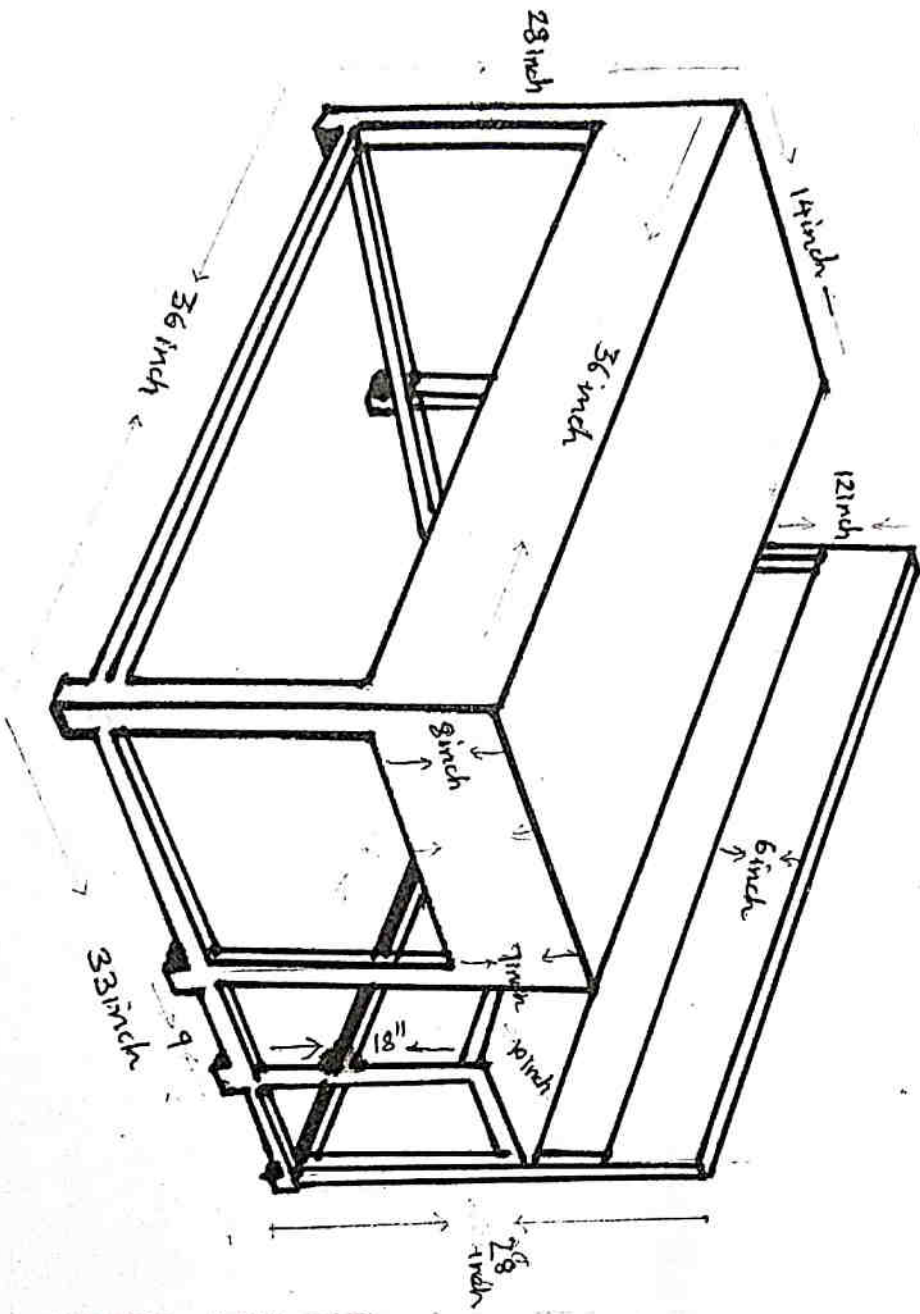
- 1) For legs MS square pipe  $1\frac{1}{2}$ " x  $1\frac{1}{2}$ " x 2mm
- 2) MS sheet 18 gauge on the top of the desk and 18 gauge on the back rack with angle support of  $\frac{1}{2}$ " x  $\frac{1}{2}$ " x 2mm
- 3) 16 gauge sheet for seat with angle  $\frac{3}{4}$ " x  $\frac{3}{4}$ " x 2mm support
- 4) 18 gauge sheet for back rest
- 5) All the sheet should be angle support structure

## Painting

- 1) 1<sup>st</sup> Red oxide primer coating
- 2) Two coats of colour paint with wax finish

Note - colour combination will be decided on the spot.  
Raw material should be ISI Mark.





**DUEL DESK - STEEL**

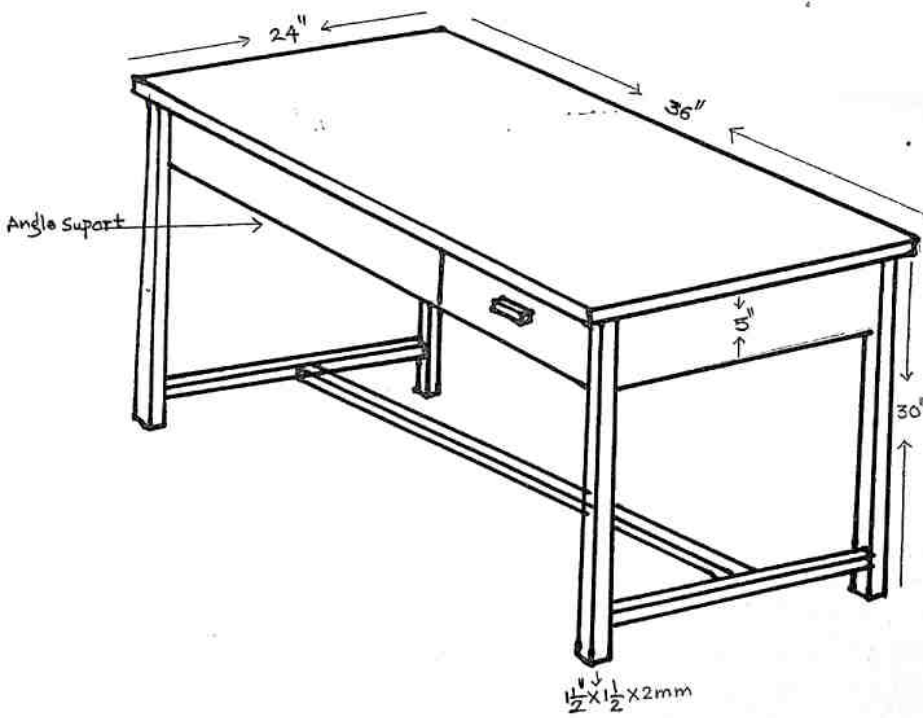
**SPECIFICATIONS:**

1. Duel desk Table Length 36"X33" width X Height 28" with 8" Shelf (three sides closed) with 1" slope. Top 18 gauge and lower 18 gauge iron sheets with 1/2" angle support.
2. Leg size 1 1/2" X 1 1/2" X 2 mm MS square pipe.
3. M.S Sheet 18 gauge on the top of the desk and 18 gauge for book rack with angle support of 1/2 inch X 1/2 inch X 2 mm.
4. seat Height 18" width 12" with 16 gauge sheet and angle support of 3/4", back rest sheet width 6" with 16 gauge sheet.
5. 16 gauge sheet for seat with Angle 3/4" X 3/4" X 2 mm support.
6. 18 gauge sheet for back rest
7. All the sheets should be angle support structure.

**PAINTING:**

1. First Red oxide primer coating should be done
  2. Two coats of colour paint with mat finishing
- Note: Colour combination will be decided on the sport raw material should be ISI/BIS mark.

## TEACHERS TABLE



### Specification

- 1) For legs  $1\frac{1}{2} \times 1\frac{1}{2} \times 2$  mm Square pipe (MS)
- 2) Top should be waterproof ISI Mark plywood of 1" thick with Sunmika 1 mm Thickness
- 3) Table drawer of 5" Length with 15" width x 22" depth